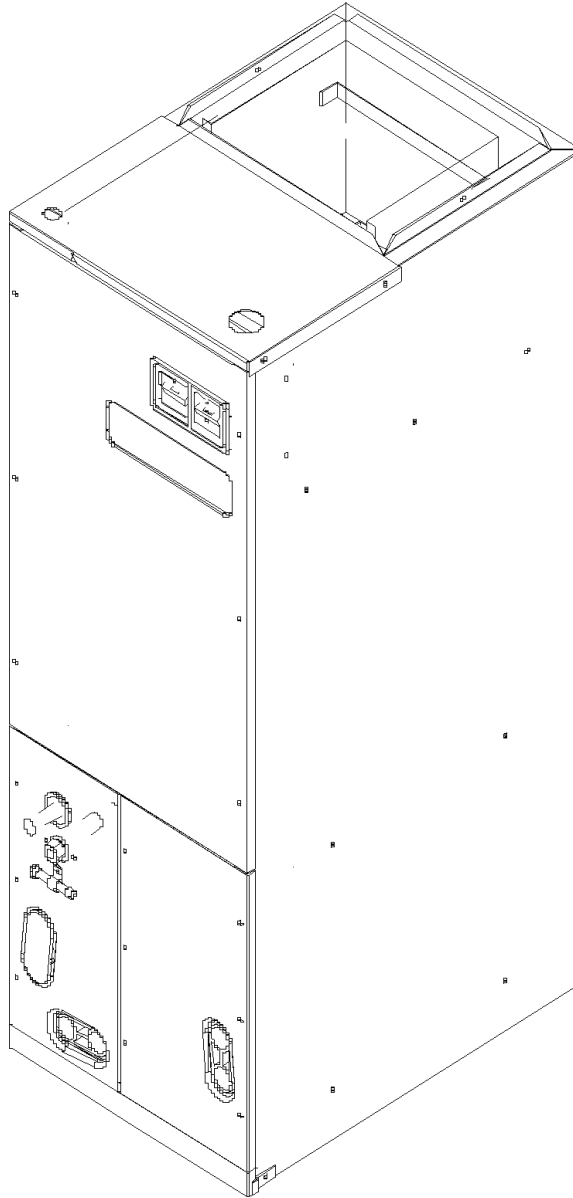


REPAIR PARTS

ARUF 10 & 13 SEER Air Handlers For R22 Units Only

ARUF17291BA
ARUF18241BA
ARUF30301BA
ARUF36421BA
ARUF37431BA
ARUF48601BA



This manual is to be used by qualified technicians only.

This manual replaces RP-387B.

© 2006 - 2007, 2016 Goodman Manufacturing Company, L.P. ♦ 5151 San Felipe St., Suite 500 ♦ Houston, TX 77056

Important Information

Index

Functional Parts List	3
Illustration and Parts	4 - 7

Views shown are for parts illustrations only, not servicing procedures

Text Codes:

AR - As Required

NA - Not Available

NS - Not Shown

00000000 - See Note

QTY - Quantity Example (QTY 3) (If Quantity not shown, Quantity = 1)

M - Model Example (M1) (If M Code not shown, then part is used on all Models)

Expanded Model Nomenclature:

Example M1 - Model#1 M2 - Model#2 M3 - Model#3

Goodman Manufacturing Company, L.P. is not responsible for personal injury or property damage resulting from improper service. Review all service information before beginning repairs.

Warranty service must be performed by an authorized technician, using authorized factory parts. If service is required after the warranty expires, Goodman Manufacturing Company, L.P. also recommends contacting an authorized technician and using authorized factory parts.

Goodman Manufacturing Company, L.P. reserves the right to discontinue, or change at any time, specifications or designs without notice or without incurring obligations.

For assistance within the U.S.A. contact:
Homeowner Support
Goodman Manufacturing Company, L.P.
19001 Kermier Road
Waller, Texas 77484
877-254-4729-Telephone
713-863-2382-Facsimile

For assistance outside the U.S.A. contact:
International Division
Goodman Manufacturing Company, L.P.
19001 Kermier Road
Waller, Texas 77484
713-861-2500-Telephone
713-863-2382-Facsimile

Functional Parts

Part

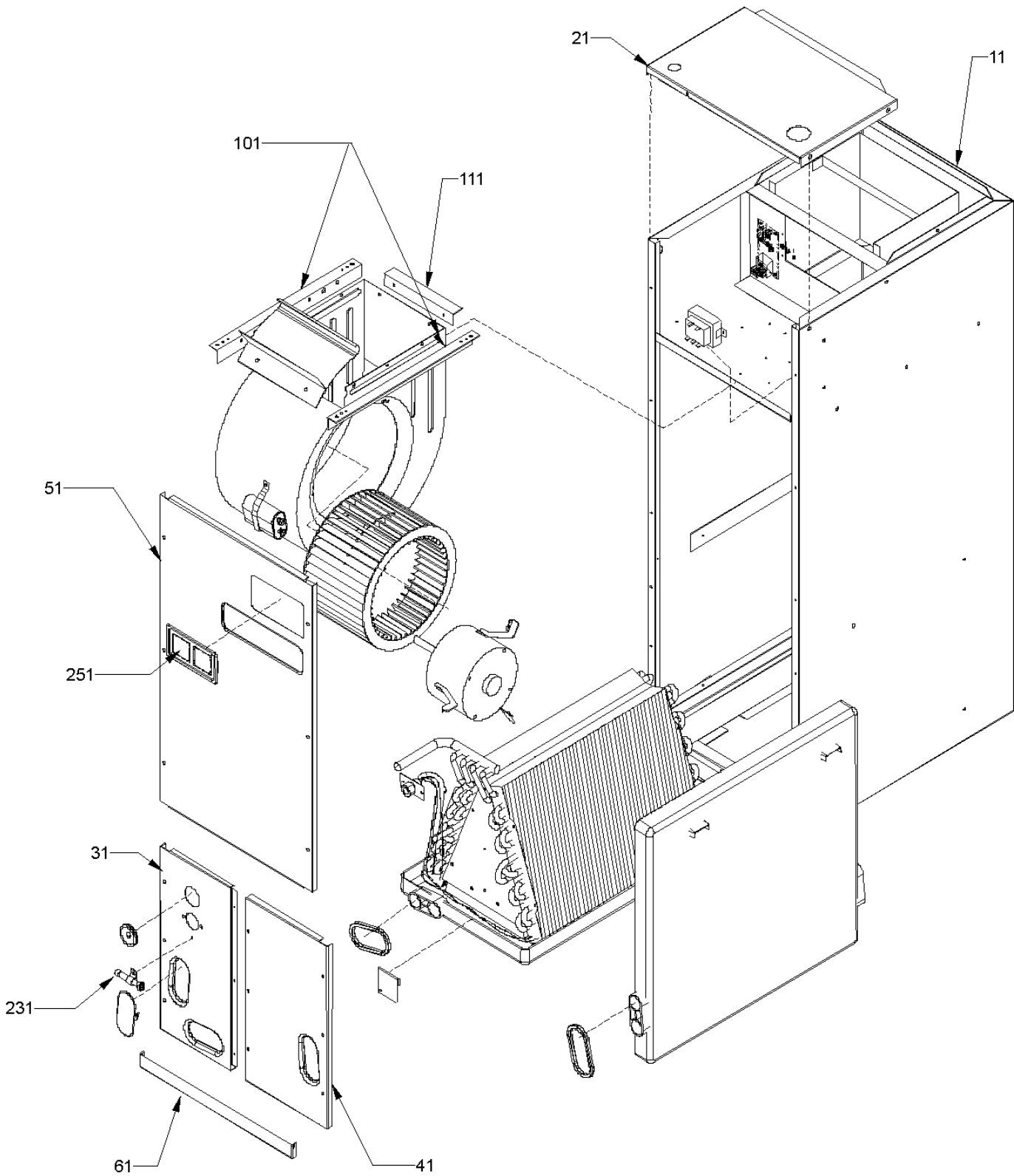
No: Description:

11091204	BLOWER MOTOR 1/2 HP, 3 SP, 8 PL (M4, M5)
11091203	BLOWER MOTOR 1/3 HP, 3 SP, 6 PL (M3)
0131M00005P	BLOWER MOTOR 1/3 HP, 3 SP, 6 PL (M1, M2)
0131M00000P	BLOWER MOTOR 3/4 HP, 3 SP, 6 PL (M6)
CAP100000370LA	CAPACITOR 10/370V (M1, M2, M3)
CAP150000370LA	CAPACITOR 15/370V (M4, M5, M6)
PCBFM103	ELECTRONIC BLOWER TIME DELAY
B1796630	INLET TUBE FLOWRATOR
0130M00138	TRANSFORMER 208/230, 24V

Expanded Model Nomenclature

M1 - ARUF17291BA
M2 - ARUF18241BA
M3 - ARUF30301BA
M4 - ARUF36421BA
M5 - ARUF37431BA
M6 - ARUF48601BA

Cabinet



Cabinet

Ref. Part No:	No:	Description:	Ref. Part No:	No:	Description:
Image 1:					
11	1721123	WRAPPER ASSY LRG (M5)			
11	1721122	WRAPPER ASSY MED (M3)			
11	1721121P	WRAPPER ASSY SML (M4)			
21	0121A00033PDG	UPPER TIE PLATE (M6)			
21	0121A00035PDG	UPPER TIE PLATE (M1, M2)			
21	1721931PDG	UPPER TIE PLATE (M4, M5)			
31	1722077PDG	LOWER ACCESS PANEL (M3)			
31	1722078PDG	LOWER ACCESS PANEL (M1, M2)			
41	1722079PDG	LOWER SERVICE PANEL (M6)			
41	1722080PDG	LOWER SERVICE PANEL (M4)			
41	1722081PDG	LOWER SERVICE PANEL (M1, M2, M3, M5, M6)			
51	1722082PDG	UPPER ACCESS PANEL			
51	1722083PDG	UPPER ACCESS PANEL (M6)			
51	1722084PDG	UPPER ACCESS PANEL (M4)			
61	1722085PDG	FILTER COVER (M5)			
61	1722087PDG	FILTER COVER LRG (M3)			
61	1722086PDG	FILTER COVER MED (M1, M2)			
101	0121A00016	BLOWER MOUNTING ANGLE (M4)			
101	0121A00027	BLOWER MOUNTING ANGLE (M1, M2, M3, M5, M6)			
111	0121A00495	BLOWER MOUNTING ANGLE BRACKET			
231	B1796630	INLET TUBE FLOWRATOR			
251	0161A00034	PLASTIC BREAKER INSERT			
NS	1721918	BOTTOM TIE LRG (M1, M2)			
NS	1721917	BOTTOM TIE MED (M3)			
NS	1721916	BOTTOM TIE PLATE SML (M4, M5, M6)			

Expanded Model Nomenclature

M1 - ARUF17291BA
M2 - ARUF18241BA
M3 - ARUF30301BA
M4 - ARUF36421BA
M5 - ARUF37431BA
M6 - ARUF48601BA

Internal Components

Image 1

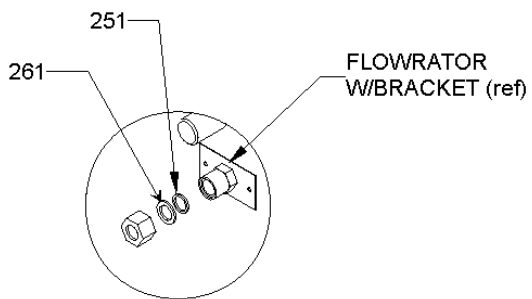
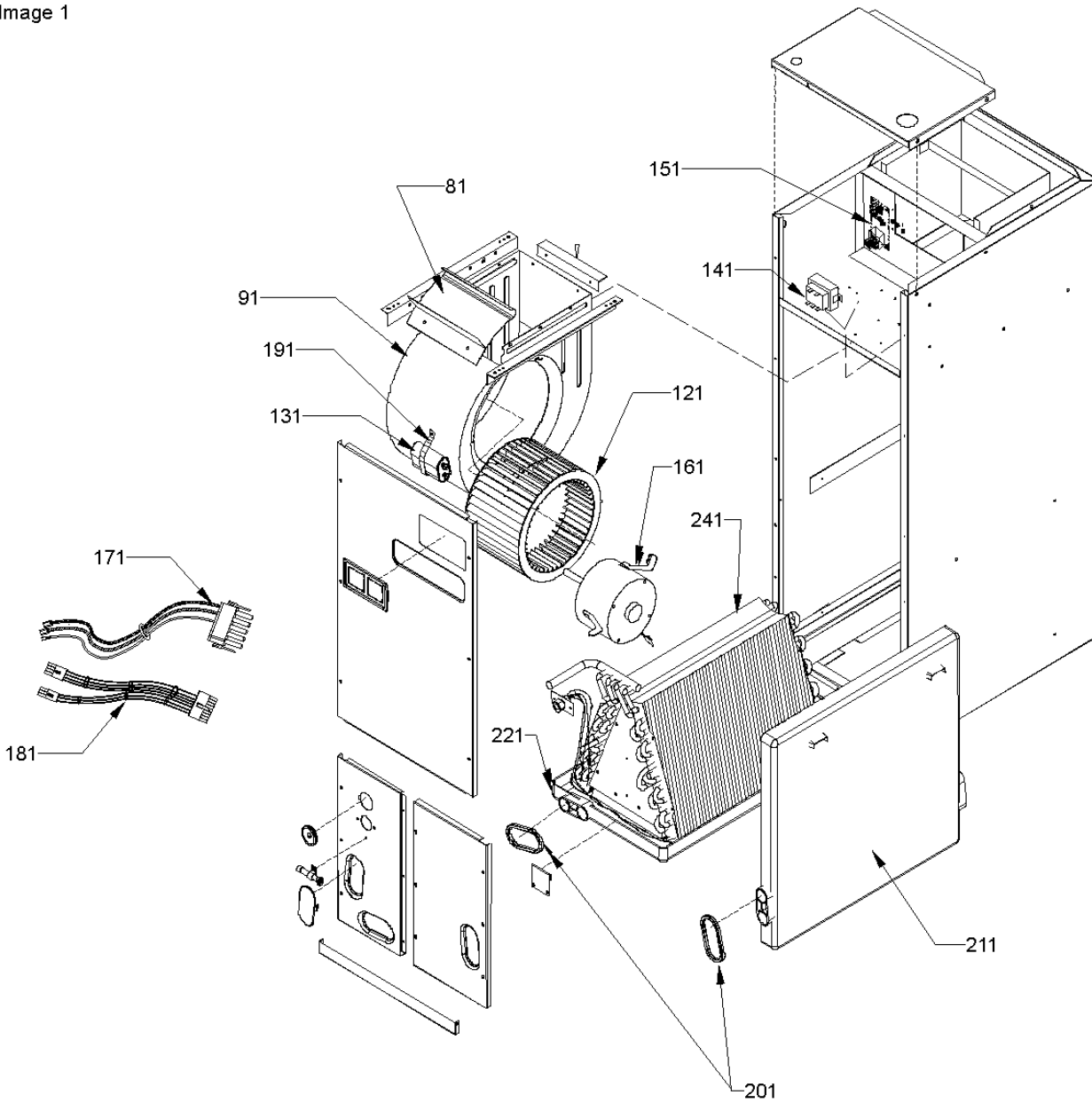
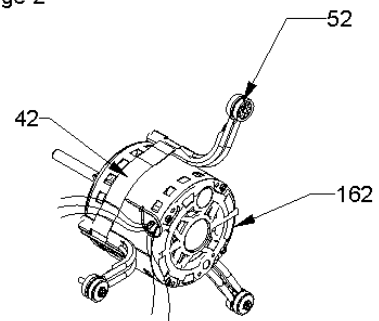


Image 2



Internal Components

Ref. Part No:	Ref. Part No:	Description:	Description:
Image 1:			
81	0270A00101	BLOWER CUT-OFF (M5)	
81	764734	BLOWER CUT-OFF (M3)	
81	764736	BLOWER CUT-OFF 10 X 8 (M4)	
81	1824004	BLOWER CUT-OFF 11 & 10 X 10 (M6)	
81	764733	BLOWER CUT-OFF 9 X 6 (M1, M2)	
91	1439398	ASSY, BLOWER SHELL (M6)	
91	0271A00013	BLOWER HOUSING ASSY 11 X 10 (M5)	
91	1439389	BLOWER HOUSING ASSY 9 X 6 (M1, M2)	
91	1439391	BLOWER HOUSING ASSY w/o CUT-OFF 764736 (M4)	
121	D6723311	BLOWER WHEEL (M5)	
121	B1368016	BLOWER WHEEL 10 X 8 (M4)	
121	0150M00000P	BLOWER WHEEL 9 X 6 (M1, M2)	
121	0150G00000P	BLOWER WHEEL 9 X 8 (M3)	
121	0150M00037	WHEEL, BLOWER 10 X 10 (M6)	
131	CAP100000370LA	CAPACITOR 10/370V (M1, M2, M3)	
131	CAP150000370LA	CAPACITOR 15/370V (M4, M5, M6)	
141	0130M00138	TRANSFORMER 208/230, 24V	
151	PCBFM103	ELECTRONIC BLOWER TIME DELAY	
161	0131M00005P	BLOWER MOTOR 1/3 HP, 3 SP, 6 PL (M1, M2)	
161	11091203	BLOWER MOTOR 1/3 HP, 3 SP, 6 PL (M3)	
171	0259A00001P	WIRE ASSY, 9-PIN FEMALE CONNECTOR (M1, M2)	
171	0259A00005P	WIRE ASSY, 9-PIN FEMALE CONNECTOR (M3, M4, M5, M6)	
181	0259A00002P	WIRE ASSY, 9-PIN MALE CONNECTOR	
191	1284835	CAPACITOR STRAP	
201	0154A00000BL	DRAIN PAN GASKET (QTY 2)	
211	B1756021L	PLASTIC DRAIN PAN (HORIZONTAL) (M1, M2)	
211	B1756022L	PLASTIC DRAIN PAN (HORIZONTAL) (M3)	
211	B1756028L	PLASTIC DRAIN PAN (HORIZONTAL) (M4, M5, M6)	
221	B1756013L	PLASTIC DRAIN PAN (VERTICAL) (M1, M2)	
221	B1756017L	PLASTIC DRAIN PAN (VERTICAL) (M3)	
221	B1756020L	PLASTIC DRAIN PAN (VERTICAL) (M4, M5, M6)	
241	1264517	EVAP COIL ASSEMBLY (M3)	
241	1264531	EVAP. COIL ASM. (AR61-1) (M5, M6)	
241	1264532	EVAP. COIL ASM., (AR32-1) (M2)	
241	1264505	EVAP. COIL ASSY. 14X16.75, 2R, (M1)	
241	1264509	EVAP.COIL ASSY. 22X19.75, 3R, (M4)	
251	B1796631	TEFLON SEAL (20 IN A PACK)	
261	B1796632	TEFLON SEAL AND NUT ASSY (20 IN A PACK)	
NS	B821700	CAPACITOR BOOT (M4)	

Image 2:

42	0121M00038	MOTOR MOUNT BAND (M4)
42	0121M00039	MOTOR MOUNT BAND (HEAVY DUTY) (M5, M6)
52	B1376853	MOTOR MOUNT ARM (M4)
52	B1376863	MOTOR MOUNT ARM (HEAVY DUTY) (M5, M6)
162	11091204	BLOWER MOTOR 1/2 HP, 3 SP, 8 PL (M4, M5)
162	0131M00000P	BLOWER MOTOR 3/4 HP, 3 SP, 6 PL (M6)

Expanded Model Nomenclature

M1 - ARUF17291BA
M2 - ARUF18241BA
M3 - ARUF30301BA
M4 - ARUF36421BA
M5 - ARUF37431BA
M6 - ARUF48601BA